

### FX3D

Digital Temperature Controller

NTC

Heating

Cooling

Defrost

4~20mA

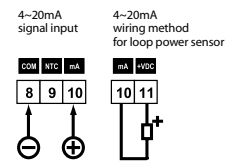
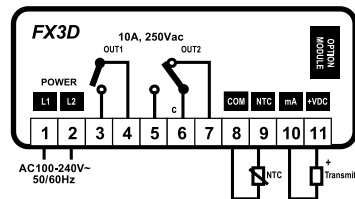
RS485

Retrans



OUT1 : Heating/cooling output  
 OUT2 : Heating/cooling output  
 - Timer output  
 - Sensor error detection alarm output  
 - Heater defrost output  
 - Hot gas defrost output

<b>Main-Function</b>	Heating/cooling output, independent timer output, high/low alarm output, Defrost output, precise temperature control, sensor correction, sensor error detection, Data backup, min. on/off maintaining time setup, RS485 communication (MODBUS), Auto-output operation cycle settable in case of sensor error, transmission output
<b>Power Supply</b>	AC100~240V, 50/60Hz, Max. 4VA, screw bolt terminals
<b>Input/output</b>	Relay output : 2point (10A), Temp. sensor input : 1 point (NTC) 4~20mA Input : 1 point (including power supply)
<b>Sensor Spec</b>	DPR-TH1 : NTC 5k, ±0.3°C at 25°C (-50~105°C) DPR-TH2 : NTC 10k, ±0.3°C at 25°C (-50~150°C)
<b>Models</b>	<b>FX3D - 00</b> : Basic model (DPR-TH1-ET temperature sensor) <b>FX3D - R4</b> : Add on RS485 communication (MODBUS) <b>FX3D - A1</b> : Add on 4~20mA transmission output <b>FX3D - R2</b> : Add on RS232 communication <b>FX3D - A1R4</b> : Add on 4~20mA transmission output, RS485 communication (MODBUS)



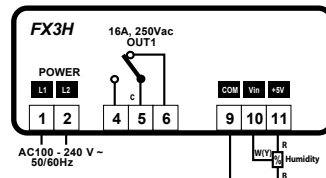
### FX3H

Digital Humidity Controller

Humidity



<b>Main-Function</b>	humidification/dehumidification output, high/low alarm output, min. on/off maintaining time setup, selection on/off output when sensor error occurs, sensor correction, sensor error detection, selection of displaying decimal point
<b>Power Supply</b>	AC100~240V, 50/60Hz, Max. 4VA
<b>Input/output</b>	Relay output : 1point (out1 : 250Vac/16A), Humidity 1~4V, input : 1 point
<b>Sensor Spec</b>	HTX20-FTS-502 (Voltage output type humidity sensor), HTX3515
<b>Models</b>	<b>FX3H-00</b> : Basic model



OUT1: Dehumidification/Humidification  
 #1 ON/OFF output  
 COM : Signal input common terminal  
 Vin : Humidity sensor input  
 +5V : Power Supply for humidity sensor (5Vdc)

### FX3DH

Digital Temp. & Humidity Controller

NTC

Heating

Cooling

Thermostat

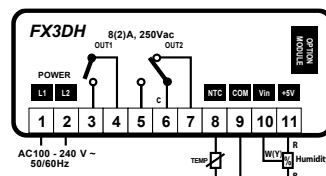
Humidity

4~20mA

Retrans



<b>Main-Function</b>	humidification(heating), dehumidification(cooling) output, high/low alarm output, min. on/off maintaining time setup, selection on/off output when sensor error occurs, sensor correction, sensor error detection, relay output manual control, transmission output, RS485 communication (MODBUS)
<b>Power Supply</b>	AC100~240V, 50/60Hz, Max. 4VA
<b>Input/output</b>	Relay output : 2point (out1,2 : 250Vac/8(2)A), Humidity 1~4V, power input : 1 point
<b>Sensor Spec</b>	HTX20-FTS-502 (Voltage output type humidity sensor), HTX3515
<b>Models</b>	<b>FX3DH-00</b> : Basic model <b>FX3DH-R4</b> : Add on RS485 communication (MODBUS) <b>FX3DH-A1</b> : Add on 4~20mA transmission output <b>FX3DH-R2</b> : Add on RS232 communication



OUT1 : Humidification/dehumidification  
 #1 ON/OFF output  
 OUT2 : Humidification/dehumidification  
 #2 ON/OFF output  
 COM : Signal input common terminal  
 Vin : Humidity sensor input  
 NTC : Temp. sensor input  
 +5V : Power for humidity sensor (5Vdc)

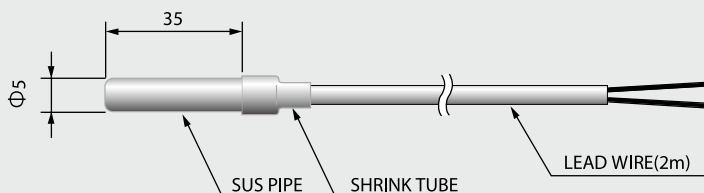
## Accessories

## Temperature &amp; Humidity Sensor

## DPR-TH1-ET Temperature sensor

## General Specification

Sensor type : NTC 5K $\Omega$  Range : -50 ~ 105 $^{\circ}$ C  
Accuracy :  $\pm 0.3^{\circ}$ C at 25 $^{\circ}$ C Sheath :  $\phi 5 \times 35$ mm,  
SUS Cable : 2C X 0.5mm



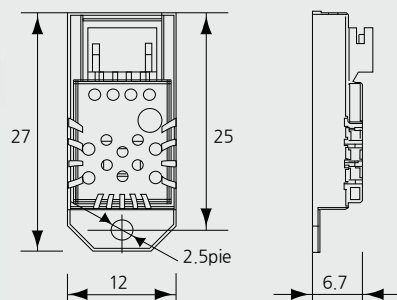
## HTX3515 Humidity sensor

## General Specification

- Measurement Range for humidity : 0~100%RH
- Humidity output : 1~3.6Vdc
- Including cable kit : 3m
- Accuracy :  $\pm 3\%$ RH at 55%RH
- Power supply : 5V

## Cable

1	black	Humidity sensor power supply 0V
2	Red	Humidity sensor power supply +5V
4	White	Humidity measurement signal output



## HTX20-FTS-502 Temperature &amp; Humidity sensor

## General Specification

- Measurement Range for humidity : 0~100%RH
- Measurement Range for temperature : -10~60 $^{\circ}$ C
- Humidity output : 1~3.6Vdc
- Temperature output : NTC5K B3324K
- Accuracy :  $\pm 2\%$ RH,  $\pm 0.3^{\circ}$ C
- Power supply : 5V

## Cable

Black	Humidity sensor power supply 0V
Red	Humidity sensor power supply +5V
Yellow	Humidity measurement signal output
White	Temperature sensor (NTC5K)
Blue	Temperature sensor (NTC5K)

※ cable length : 3m

